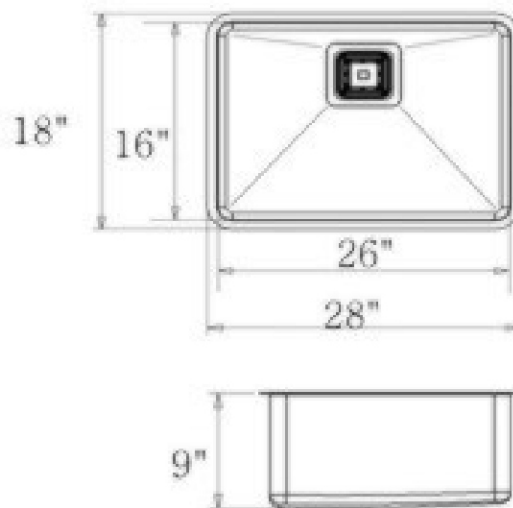




WWW.CASTLEBAYSINKS.COM

Atlantic Max Plus



Features:

- * 18 gauge premium stainless steel and satin finish
- * Canadian design and engineered
- * One-of-a-kind square strainer design
- * Sound-deadening insulation
- * Rear drain placement
- * Single bowl undermount kitchen sink

Sink Specifications

While Castle Bay endeavors to provide accurate information, all dimensions are nominal, cannot be guaranteed, and are subject to change or cancellation. Castle Bay assumes no responsibility for use of superseded or voided specifications.

ATTENTION - PLEASE CONFIRM THAT THE TEMPLATE SUPPLIED CORRESPONDS TO THE SINK MODEL. The template is only be used as reference, and the actual sink should be present to ensure an accurate cut out. Castle Bay Sinks Inc assumes no liability for any damages incurred through its application.

CASTLE BAY SINKS INC RECOMMENDS THAT THE INSTALLATION OF A SINK IN AN UNDERMOUNT APPLICATION SHOULD BE PERFORMED BY AN EXPERIENCED PROFESSIONAL COUNTERTOP FABRICATOR.

There are several ways an undermount sink can be mounted. A professional fabricator will select the appropriate method to securely install the sink under the countertop. Typically, silicone adhesive is used around the flange of the sink to adhere the sink to the underside of the countertop. Wood or stone blocks mounted with epoxy are also used as additional support around the perimeter of the sink. The sink is supported for at least 24 hours until the adhesives cure.

DXF files are also available for use with a CNC machine to perform the cutout. These files can



Limited Lifetime Warranty

Castle Bay Sinks (Canada) Inc. warrants its sink products to be free from manufacturing defects in materials and workmanship under normal usage to all purchasers. Should your sink prove defective for normal domestic purposes, Castle Bay Sinks will provide a replacement sink of an equivalent model free of charge, provided the sink you own had been installed and maintained in accordance with instructions provided by Castle Bay Sinks Inc..

Our warranty does not cover product failure caused by abusive treatment, misuse, improper care and cleaning, or damage due to handling or faulty installations.

Castle Bay Sinks will not be liable for any inconvenience or expense for material or labour related to removal or replacement of the defective sink; nor for any loss or damage to any person or property resulting from the defective sink.

Note that scratches, stains, chips are excluded from this warranty. For complete details of our warranty, visit www.castlebaysinks.com.

Care & Maintenance

Castle Bay stainless steel sink is easy to keep clean. Simple everyday maintenance will ensure its long lasting beauty.

WHAT TO DO

For regular routine cleaning, use a non-abrasive cleaner. This will keep the sink free from residue and grease. The best form of maintenance is frequent, regular cleaning. Regularly rinse and towel dry your sink with a soft, dry cloth when not in use to keep it dry. This will prevent surface/mineral deposits and water spots caused by lime in the water.

WHAT NOT TO DO

Do not use common steel wool scouring pads or metal implements such as scrapers and wire brushes. These items can cause rust spots to appear on the sink. The rust is not from the stainless steel but from contamination by particles of carbon steel which have rubbed off the scouring pad or metal implement and have adhered to the surface of the sink.

SCRATCHES

Like many metallic surfaces, your stainless steel sink will scratch. Overtime, these scratches will blend into the overall finish of your sink and will become uniform with the sink's grain.

SURFACE RUST & STAINS

Stainless steel does not rust. Rust are a result of iron particles, from outside sources such as water, cookware, steel wool pads, etc, that eventually develop into rust spots.

WATER QUALITY

The quality of water can affect your sink's appearance. If your water has a high iron content, a brown surface stain can form on the sink giving the appearance of rust. Thus, we suggest that the sink be towel dried after each use, and be cleaned with a recommended cleanser.